



TH 9655 NOCTICON* LOW LIGHT LEVEL CAMERA TUBE

- FIBER OPTICS INPUT WINDOW : 25 mm diameter
 - SILICON TARGET : 18 mm diameter
 - LARGE SPECTRAL RESPONSE
 - SENSITIVITY 300 mA/lumen
 - LOW DARK CURRENT
 - LOW LAG
- WIDE DYNAMIC RANGE (variable gain)
- COMPACT AND RUGGED STRUCTURE
 - BURN RESISTANT

GENERAL CHARACTERISTICS

Electro-optics

The tube TH 9655 is a 25 mm input field, rugged tube especially designed for use in low light and very low light level T.V. applications.

This compact tube includes a photocathode deposited on a fiber optics flat window, a diode array silicon target and a scanning electron gun. Due to the high gain of the target, this tube exhibits excellent performances : each photo-electron, emitted by the photocathode and accelerated through approximately 10 kV, releases its energy in the silicon creating by ionization 1500 to 2000 electron-hole pairs. The image section performances can be achieved for a wide range of high voltage values whose variation enables to use the tube in a wide dynamic illumination range.



The TH 9655 can operate at light levels near the limits defined by photo-electron fluctuation noise ; this capability results from the use of the S20 or S20ER type photocathode with panchromatic response and the use of a high gain target.

The silicon target has been especially designed in order to obtain, in combination with the high performances of the electron gun, a high resolution and a low lag. This target can also withstand extreme overloads due to over illumination of short duration without target burn or damage.

The sturdiness of TH 9655 is such that it can be implemented in systems operating in severe environmental conditions.

* Registered Trade Mark.



Different versions of the tube

The TH 9655 can be provided in a potted version (identified by the suffix M) or in a non-potted version. The normal potting* is recommended for easier and safer use (see Fig. 11 and 12).

Other types can be realized for instance tubes provided with focusing - alignment coils, deflection yokes or with flying leads.

Tubes coupled to an image intensifier tube such as TH 9473, TH 9302 (25 mm gated tube) or TH 9479 (40 mm zoom - gated tube) can also be provided.

The TH 9655 tubes are normally available in the following classes :

- Class A { TH 9655 NOR (1)
 { TH 9655 M/NOR (2)
 - Class B { TH 9655 IND (1)
 { TH 9655 M/IND (2)
 - Class C { TH 9655 AMR (1)
 { TH 9655 M/AMR (2)
- (1) Non-potted tube
(2) Potted tube

The TH 7118 high voltage supply can also be provided on request.

GENERAL DATA

Mechanical

| | | |
|--|--|----|
| Overall length | 224 | mm |
| Outer diameter : | | |
| - non-potted type | 71 | mm |
| - potted type | 80 | mm |
| Scanning section, max. | 26.4 | mm |
| Base | UTE 9 C 15 (JEDEC N° E8 - 11) METOX N° 30520 | |
| Socket (note 1) | GERHARD BV 200 Spez 47 | |
| Deflection and focusing coils assembly (note 2) | or equivalent GERHARD BV 80/3 | |
| Alignment coil (note 2) | or equivalent THOMSON-CSF THX909 | |
| or Deflection - focusing - alignment assembly (note 2) | or equivalent | |
| Weight, approx. : | | |
| - non-potted tube | 250 | g |
| - potted tube | 450 | g |
| Operating position | any | |

* Other shapes of the potting can be provided upon request.



Electrical

– IMAGE SECTION

| | |
|----------------|---------------|
| Focusing | electrostatic |
| Type | diode |

– SCANNING SECTION

| | |
|---------------|---|
| Cathode | equipotential indirect oxide coated |
|---------------|---|

Heater :

| | |
|--------------------------|---------------|
| - voltage | 6.3 V |
| - current at 6.3 V | 0.15 ± 10 % A |

| | |
|-------------------------------|------|
| Minimum preheating time | 60 s |
|-------------------------------|------|

| | |
|---|-------|
| Output capacitance (target to all other electrodes) | 12 pF |
|---|-------|

| | |
|-------------|-----------------|
| Focus | electromagnetic |
|-------------|-----------------|

| | |
|------------------|-----------------|
| Deflection | electromagnetic |
|------------------|-----------------|

| | |
|-----------------|-----------------|
| Alignment | electromagnetic |
|-----------------|-----------------|

Optical

– IMAGE SECTION

| | |
|-------------------------|-------------------|
| Photocathode | S20 or S20ER |
| Spectral response | see curves fig. 1 |

Input window :

| | |
|---------------|-------------------------------|
| - shape | flat |
| - type | fiber optics (6 μm-N.A. = 1) |

| | |
|-----------------------|-------|
| Useful diameter | 25 mm |
|-----------------------|-------|

| | |
|----------------------------------|-------------------|
| Useful area - format 4 x 3 | 3 cm ² |
|----------------------------------|-------------------|

| | |
|---------------------|---------------|
| Useful format | 15 mm x 20 mm |
|---------------------|---------------|

Safety glass (for potted tube) :

| | |
|---------------------------------|--------------|
| - thickness | 2.5 ± 0.1 mm |
| - index (n _D) | 1.49 |

– SCANNING SECTION

Target :

| | |
|--|-------------------|
| - maximum useful diameter (format 4 x 3) | 18 mm |
| - normal format on the target | 10.8 mm x 14.4 mm |

- orientation of image (note 3) :

horizontal scan parallel to the plane
passing through the tube axis and
the short index pin.



OPERATING CONDITIONS

The potentials are referred to ground, the anode of the image section and the cathode of the scanning section being grounded.

Maximum ratings (absolute values)

| | | | | |
|---------------------|--------------|------|------|----|
| Ambient temperature | - in storage | max. | + 70 | °C |
| | | min. | - 55 | °C |
| | in operation | max. | + 55 | °C |
| | | min. | - 40 | °C |

- IMAGE SECTION

| | | | |
|--|------|--------|--------|
| Photocathode voltage (D.C. negative value) | max. | 12 | kV |
| | min. | 0 | V |
| Anode voltage | | 0 | V |
| Faceplate illuminance (see curves fig. 2 and chapter 5 of operating recommendations) | max. | 40 000 | lux. s |

- SCANNING SECTION

| | | | |
|---|------|-----|----|
| Signal electrode (target) voltage (note 4) | max. | 300 | V |
| Electrode g_4 (field) voltage (note 5) | max. | 350 | V |
| Electrode g_3 (wall) voltage (note 5) | max. | 350 | V |
| Electrode g_2 (acceleration) voltage | max. | 350 | V |
| Electrode g_1 (for picture cut-off) voltage : | | | |
| - negative bias voltage | max. | 150 | V |
| - positive bias voltage | max. | 0 | V |
| Cathode k voltage | | 0 | V |
| Heater voltage | max. | 6.6 | V |
| | min. | 6.0 | V |
| Peak heater to cathode voltage : | | | |
| - heater negative with respect to cathode | max. | 125 | V |
| - heater positive with respect to cathode | max. | 10 | V |
| Target current | max. | 750 | nA |

Typical operation

| | | | |
|------------------------|--|----|----|
| Operating conditions : | | | |
| Temperature (note 7) | | 25 | °C |

- IMAGE SECTION

| | | | |
|--|--|---|----|
| Photocathode voltage (D.C. negative value) | | 9 | kV |
| Anode voltage | | 0 | V |

- SCANNING SECTION

| | | | |
|--|------|-------|-------|
| Electrode signal voltage | | 8 | V |
| Electrode g_4 voltage | | 340 | V |
| Electrode g_3 voltage | | 290 | V |
| Electrode g_2 voltage | | 300 | V |
| Electrode g_1 voltage (for picture cut-off) (note 8) | min. | - 40 | V |
| | max. | - 100 | V |
| Minimum blanking peak-to-peak voltage : | | | |
| - applied to g_1 | | - 75 | V |
| - applied to cathode | | + 20 | V |
| Focus magnetic field | | 40 | Gauss |



Deflection peak current for BV 200/Spec 47 assembly :

| | | |
|-----------------|--------|-------|
| - horizontal | 200 | mA |
| - vertical | 25 | mA |
| Alignment field | 0 to 4 | Gauss |

Electro-optical performances

| | | | | |
|--|----------------------|------|------|-------------|
| Scanning standard | 25 images/s | | | |
| | 625 interlaced lines | | | |
| Image format on photocathode | 15 mm x 20 mm | | | |
| | min. | avg. | max. | Units |
| Dark current (fig. 3) | — | 10 | 20 | nA |
| Overall sensitivity (note 9) : | | | | |
| TH 9655 NOR and IND (fig. 4) | { 70 | 90 | — | μ A/lux |
| | { 235 | 300 | — | mA/lm |
| TH 9655 AMR | { 55 | 80 | — | μ A/lux |
| | { 180 | 260 | — | mA/lm |
| Average gamma for a signal current between 1 and 700 nA (note 10) | — | 1 | — | |
| Variation of gain for a photocathode voltage swing from - 3 kV to - 11 kV (fig. 5) | 100 | 400 | — | |
| Limiting resolution at center of image (note 11) (fig. 6 and 7) | — | 750 | — | T.V. lines |
| M.T.F. at 400 T.V. lines at center of image (note 12) (fig. 7) | 30 | 35 | — | % |
| Persistence (note 13) (fig. 8) on the 3 rd frame | — | 15 | 25 | % |

ENVIRONMENTAL TESTS

The TH 9655 is designed to withstand the following non operational environmental tests. After completion of the tests, the tube will meet all the characteristics specified under the "OPERATIONAL CHARACTERISTICS".

— TEMPERATURE TESTS

The tube is subjected to 4 temperature cycles within the range of - 55 °C and + 70 °C and held at these extremal values for 30 minutes. Temperature variation is in the order of 2 °C/mn.

— SINUSOIDAL VIBRATIONS

The tube shall be rigidly maintained at three points (photocathode collar, target flange and gun base) and subjected to vibrations along 3 orthogonal axes, one of which passing through the tube axis.

Vibration characteristics :

| | | |
|---------------------|---|--|
| - amplitude | : | 0.4 mm from 10 to 110 Hz |
| - peak acceleration | : | 20 g from 110 to 500 Hz |
| Cycle duration | : | 10 Hz - 500 Hz - 10 Hz ; 30 mn for each axis |

— BUMP TESTS

The test shall be made according to the specification NF C20 - 624 :

- maximum acceleration : 40 g
- total number of bumps : 2000 with 1000 along the longitudinal axis of the tube and 500 along each of the two orthogonal axes.



SPURIOUS SIGNAL TESTS

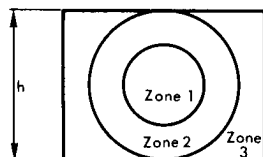
Measurement conditions

Photocathode voltage : $V_{pc} = -6$ kV
 Target voltage : $V_c = 8$ V
 Signal current : $I_s = 300$ nA

The gain of the video amplifier and the control monitor are adjusted so as to obtain an optimum image (note 14).

The test is performed by using a uniformly diffused white test pattern that is separated into 3 zones of quality as shown in figure 9.

Figure 9



The quality zones are defined as follows, h being the image height :

- the zone 1 is inside a circle of h/2 diameter ;
- the zone 2 is between the two circles of h/2 and h diameters ;
- the zone 3 is outside the circle of h diameter.

CLASS A

Spots

Black and white spots,
 Will actually be considered as defects, blemishes of contrast $C \geq 10$ % (note 15) in light ambience or in darkness.

| Dimensions of defects "d" (note 16) | | Number allowed | | | | | |
|-------------------------------------|------------|----------------|-------|--------|-------|--------|-------|
| | | Zone 1 | | Zone 2 | | Zone 3 | |
| % raster height | T.V. lines | White | Black | White | Black | White | Black |
| ≥ 1.8 | ≥ 10 | 0 | 0 | 0 | 0 | 0 | 0 |
| ≥ 1.25 | ≥ 7 | 0 | 1 | 0 | 2 | 0 | 2 |
| ≥ 0.8 | ≥ 4 | 0 | 2 | 1 | 5 | 2 | 8 |
| ≥ 0.6 | ≥ 3 | 1 | 3 | 2 | 9 | 3 | 18 |
| ≥ 0.2 | ≥ 1 | 2 | + | 4 | + | 5 | + |
| < 0.2 | < 1 | + | + | + | + | + | + |

+ Spots of this size are allowed unless concentration causes a smudge appearance.

Spots of contrast $C < 10$ % will not be counted.

Other defects

Smudges, streaks, mottled or grainy background (black and white) are not considered as defects if their contrast is $C \leq 5$ %.

Fiber optics block lines of contrast $C \leq 10$ % will not be counted.



CLASS B

Spots

Black and white spots.

Will actually be considered as defects, blemishes of contrast $C \geq 15\%$ (note 15) in light ambience or in darkness.

| Dimensions of defects "d" (note 16) | | Number allowed | | | | | |
|-------------------------------------|------------|----------------|-------|--------|-------|--------|-------|
| | | Zone 1 | | Zone 2 | | Zone 3 | |
| % raster height | T.V. lines | White | Black | White | Black | White | Black |
| ≥ 2.5 | ≥ 13 | 0 | 0 | 0 | 0 | 0 | 0 |
| ≥ 1.8 | ≥ 10 | 0 | 0 | 0 | 1 | 0 | 2 |
| ≥ 1.25 | ≥ 7 | 0 | 1 | 0 | 3 | 1 | 3 |
| ≥ 0.8 | ≥ 4 | 1 | 2 | 2 | 6 | 3 | 9 |
| ≥ 0.4 | ≥ 2 | 4 | 7 | 7 | 10 | 9 | 20 |
| < 0.4 | < 2 | + | + | + | + | + | + |

+ Spots of this size are allowed unless concentration causes a smudge appearance.

Spots of contrast $C < 15\%$ will not be counted.

Other defects

Smudges, streaks, mottled or grainy background (black and white) are not considered as defects if their contrast is $C \leq 10\%$.

Fiber optics block lines of contrast $C \leq 20\%$ will not be counted.



CLASS C

Spots

Black and white spots

Will actually be considered as defects, blemishes of contrast $C \geq 15\%$ (note 15) in light ambience or in darkness.

| Dimensions of defects "d" (note 16) | | Number allowed* | | |
|-------------------------------------|------------|-----------------|--------|--------|
| | | Zone 1 | Zone 2 | Zone 3 |
| % raster height | T.V. lines | | | |
| ≥ 2.5 | ≥ 13 | 0 | 0 | 0 |
| ≥ 1.8 | ≥ 10 | 0 | 1 | 2 |
| ≥ 1.25 | ≥ 7 | 1 | 3 | 4 |
| ≥ 0.8 | ≥ 4 | 3 | 8 | 12 |
| ≥ 0.4 | ≥ 2 | 11 | 17 | 25 |
| < 0.4 | < 2 | + | + | + |

* The mentioned numbers correspond to the total of allowed spots whether black or white.

+ Spots of this size are allowed unless concentration causes a smudge appearance.

Spots of contrast $C < 15\%$ will not be counted.

Other defects

Smudges, streaks, mottled or grainy background (black and white) are not considered as defects if their contrast is $C \leq 20\%$.

Fiber optics block lines of contrast $C \leq 30\%$ will not be counted.

NOTES

- 1 - METOX - 86 rue de Villiers de l'Isle Adam - 75020 PARIS - Tel. 636 31 10.
- 2 - GERHARD KG - REICHELSEIM/ODW Germany.
- 3 - It is necessary to ensure a correct positioning of the tube inside the coil assembly.
- 4 - In normal operation, the target voltage will not exceed 15 V.
- 5 - Grid N° 4 voltage must always be higher than grid N° 3. voltage.



- 6 - Target current is defined as the total current flowing through the load resistor connected to the signal electrode : signal current + dark current, the dark current being the current in the case of a non-illuminated photocathode.
The video amplifiers must be designed to handle target current of $1 \mu\text{A}$ in order to avoid supply overload or image distortions.
- 7 - All characteristics are given for a tube temperature of 25°C in the vicinity of the target, the recommended temperature range required for a good operation being 20°C to 30°C .
The rise of temperature, in the vicinity of the target depends upon the ambient temperature as well as the thermal dissipation of the surrounding devices and the tube itself.
A temperature rise of the tube of 10°C involves in dark current increase by a factor of 2.
- 8 - Without blanking pulse applied to electrode g_1 .
- 9 - The light source is a tungsten filament at 2854°K color temperature.
- 10 - The average "gamma" can be defined as the slope of the rectilinear part of the light transfer characteristic in log coordinates.
- 11 - Practically, the limiting resolution corresponds to the resolution measured with twin bar test card at about 7 % modulation.
- 12 - For 625 lines C.C.I.R. Standard, the line duration being $52 \mu\text{s}$ (line suppression period not included), 400 T.V. lines correspond to a frequency of 5 MHz.
- 13 - The persistence is defined as the percentage of the residual signal (measured on the n^{th} field after the illumination removal) to the initial signal.
This value assumes 50 frames/second scanning rate.
- 14 - The monitor is adjusted as the following :
 - for the pedestal level (black), the luminance of the screen is set at cut-off.
 - for the maximum level (white), the gain of the monitor is adjusted to obtain an optimum image depending on image content and ambient light.
- 15 - The contrast is defined as the percentage of increment in video current due to the blemish to the normal signal current.
- 16 - The dimensions of spots are expressed :
 - by the d/h ratio where :
d is the average diameter of the spot
h is the raster height
 - or by the equivalent T.V. lines for a 625 lines standard.

OPERATING INSTRUCTIONS

Important recommendations

1 - Non-potted tube

It is strictly recommended not to put metal parts in the proximity of the fiber optics faceplate and the photocathode flange since they are set at a very high potential up to -12 kV with respect to ground.

At the faceplate level, micro-sparks between internal and external faces of fiber optics can give rise to flicker with resulting in luminous spots on the image.

In critical cases, a spark can cause permanent damage to the input face with loss of vacuum.

For the same reasons, care must be taken to protect the tube from humidity.



2 - Potted tube

The potted tube allows an excellent safety in operation and makes easier the design of the camera head.

First, the potting insulates the photocathode flange from the surrounding. Furthermore, a glass of 2.5 ± 0.1 mm thickness and 1.49 index is bound on the faceplate of the tube. A transparent conductive layer is deposited on one face of this glass ; this conductive face is placed on the fiber optics input window and set at the photocathode potential in order to eliminate flickers and sparks at the photocathode level.

3 - The deflection voltages of the scanning section must be applied before any electrode voltages. For shutdown, the deflection voltages must be switched off only after electrode voltages have been turned off.

4 - When operating the tube, apply the high voltage in the last sequence. For shutdown, switch off the high voltage before the other voltages.

5 - The tube should not be operated at light levels higher than those given in curves of the fig. 2.

Illuminances of the photocathode exceeding the allowed values can cause permanent burn of the target involving in the loss of image quality.

When the tube is used under high variation illuminance conditions, it is recommended to provide : a servo-controlled photocathode voltage, filters and shutter in order to keep the signal current in the normal range (300 to 400 nA).

6 - Target voltage

The dark current and spurious signals increase when the voltage of the target is increased.

The sensitivity of the tube is not affected by the target potential (that is true from a certain value).

The optimum value of the target potential is the one which allows to obtain a maximum current (> 500 nA) and a minimum dark current.

This value is in the order of 8 to 10 Volts when the tube is used with the coil assembly mentioned in this Data.

When the target voltage is higher than 15 Volts, a destabilization of the target can occur which results in the impossibility to recharge the target by the beam.

In such a case, follow the recommended procedure below :

- 1 - Shut the optics ;
- 2 - Set V_{pc} to 0 V ;
- 3 - Scan the whole target ;
- 4 - Set V_{g1} at about -5 V ;
- 5 - Set target voltage V_c at 300 V during 1 to 2 secondes ;
- 6 - Cut-off the beam completely ($V_{g1} \geq V_{co}$ with V_{co} = cut-off potential).
- 7 - Reset target voltage to normal operating voltage : 8 to 10 V. ;
- 8 - Increase beam current to normal target discharge by adjusting V_{g1} .

The tube can then be operated normally.

7 - Beam alignment

Great care must be taken to align the electron beam.

The current in the alignment coil must be adjusted so that to obtain a maximum signal current higher than 500 nA in any part of the image and a uniform resolution.



Figure 1
TYPICAL SPECTRAL RESPONSES
OF S20 AND S20 ER PHOTOCATHODES

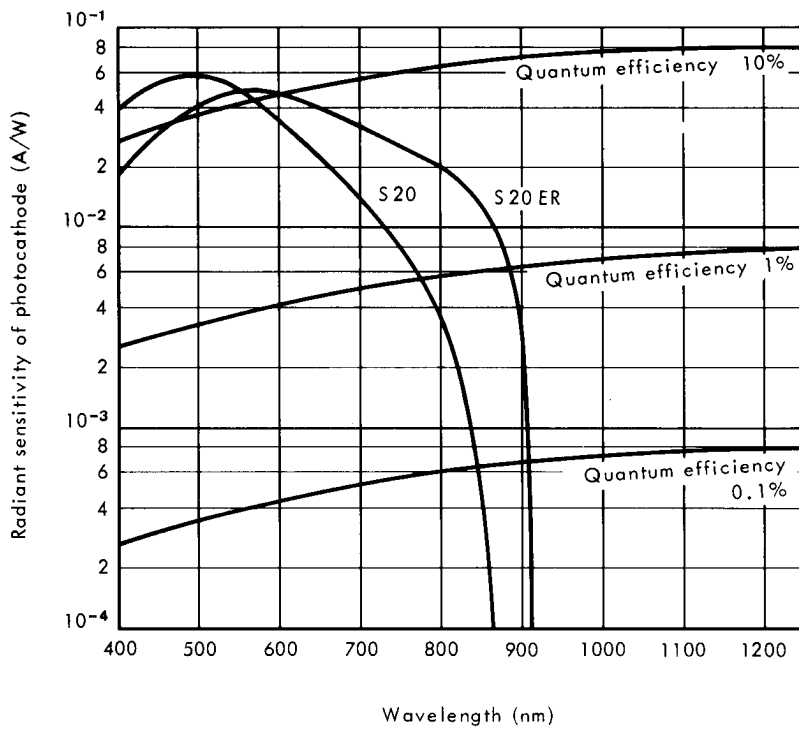


Figure 2
MAXIMUM EXPOSURE TIME

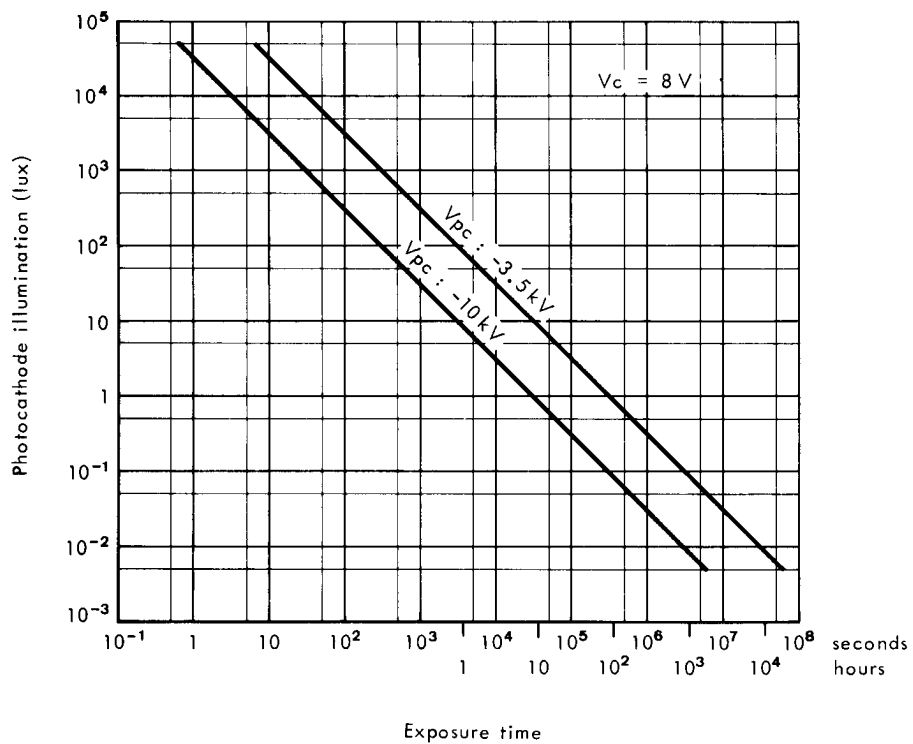




Figure 3
DARK CURRENT VERSUS TARGET VOLTAGE

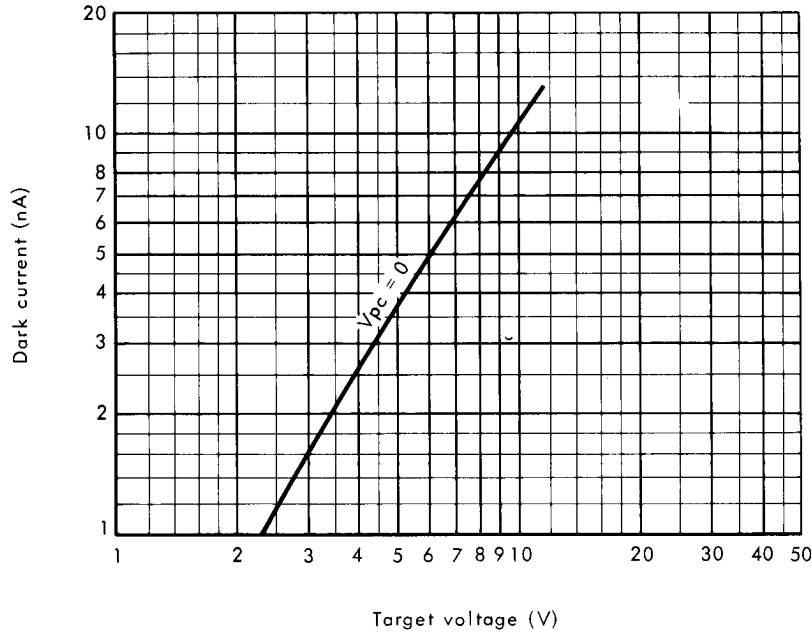


Figure 4
TYPICAL TRANSFER CHARACTERISTIC

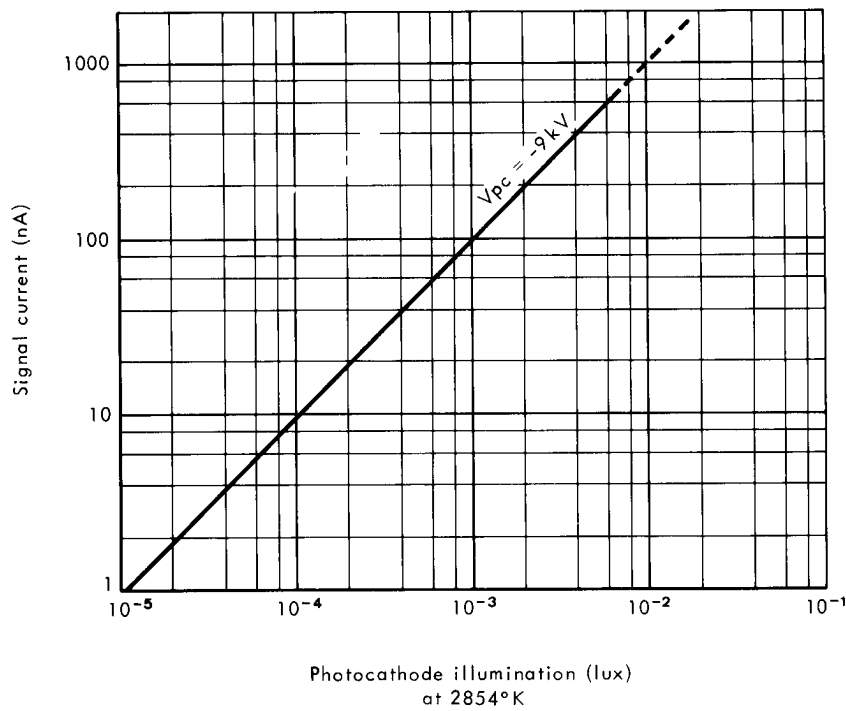




Figure 5
TYPICAL SENSITIVITY CHARACTERISTIC
VERSUS PHOTOCATHODE VOLTAGE

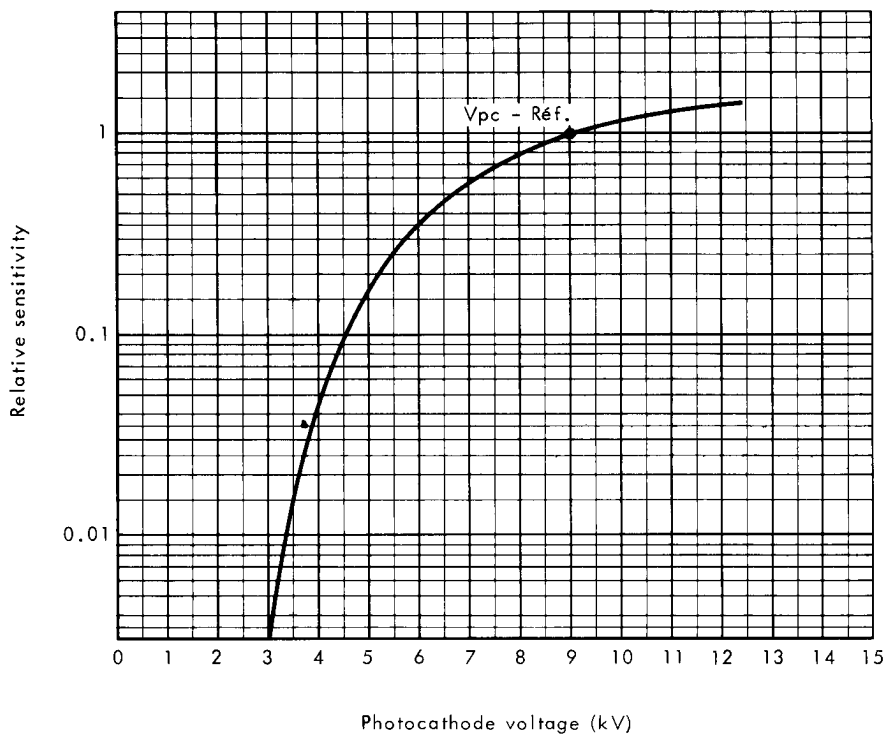


Figure 6
TYPICAL RESOLUTION CHARACTERISTIC

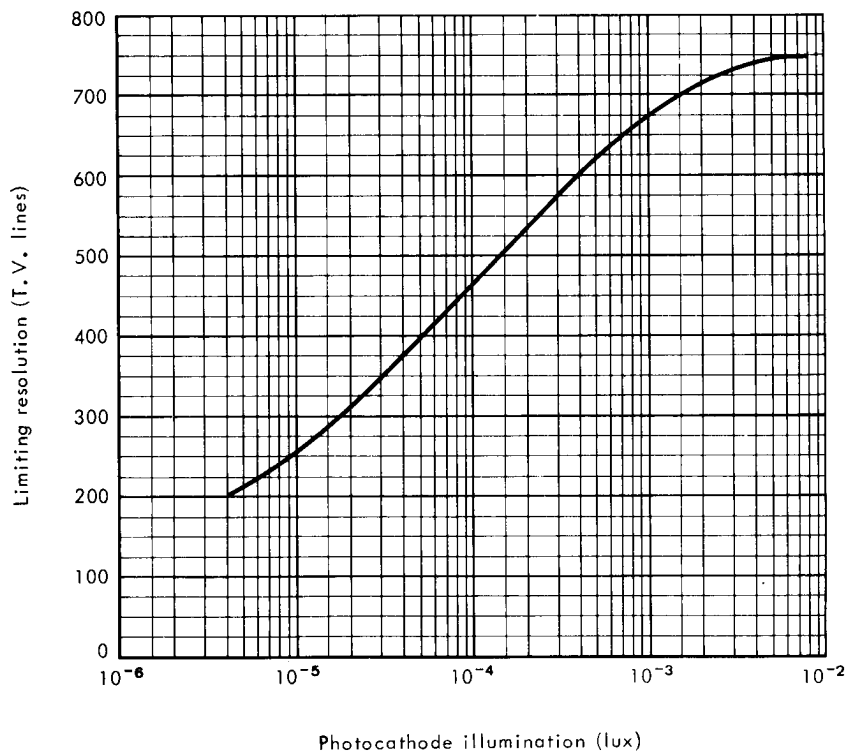




Figure 7
TYPICAL MODULATION TRANSFER FUNCTION
(P 200 chart)

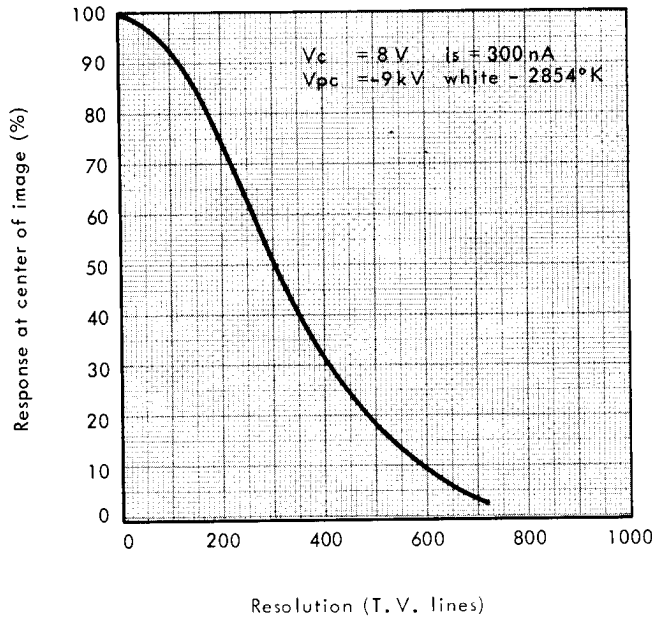
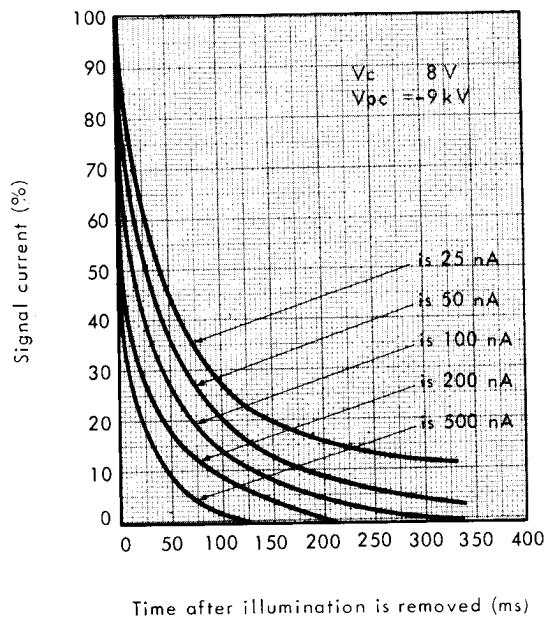


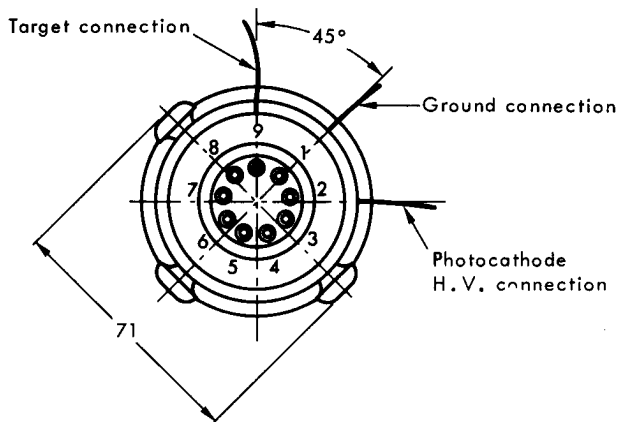
Figure 8
TYPICAL PERSISTENCE CHARACTERISTICS





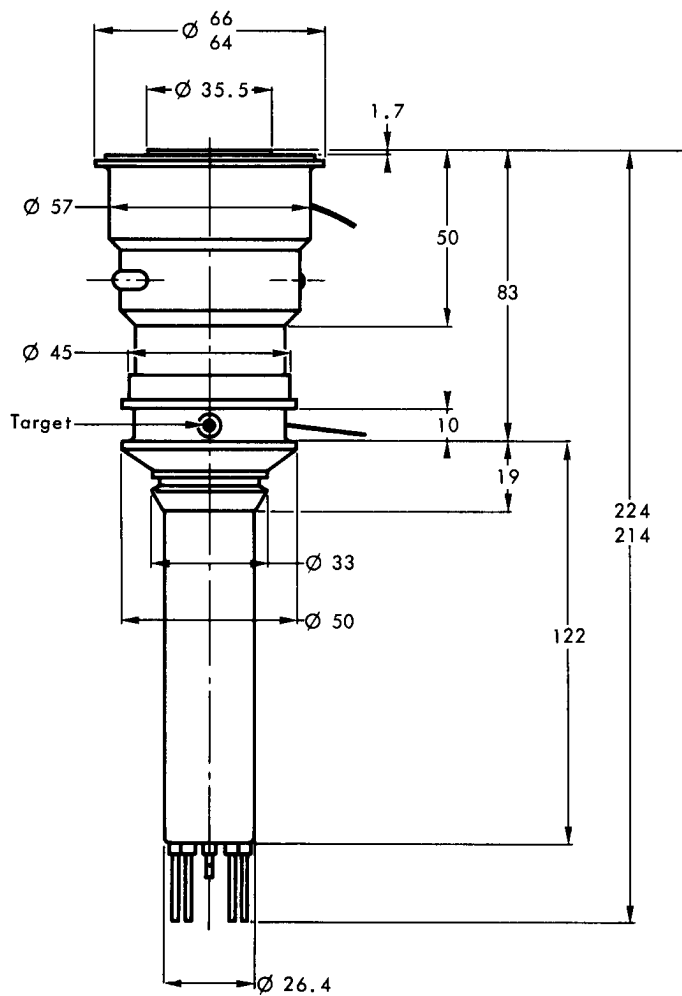
OUTLINE DRAWING

Non-potted tube



BASING DIAGRAM

- 1 = f
- 2 = g1
- 3 = g4
- 4 = ci
- 5 = g2
- 6 = g3
- 7 = k
- 8 = f
- 9 = short index pin



Dimensions in mm.

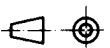


Figure 10



OUTLINE DRAWING

Potted tubes

BASING DIAGRAM

- 1 - f
- 2 - g1
- 3 - g4
- 4 - ci
- 5 - g2
- 6 - g3
- 7 - k
- 8 - f
- 9 - short index pin

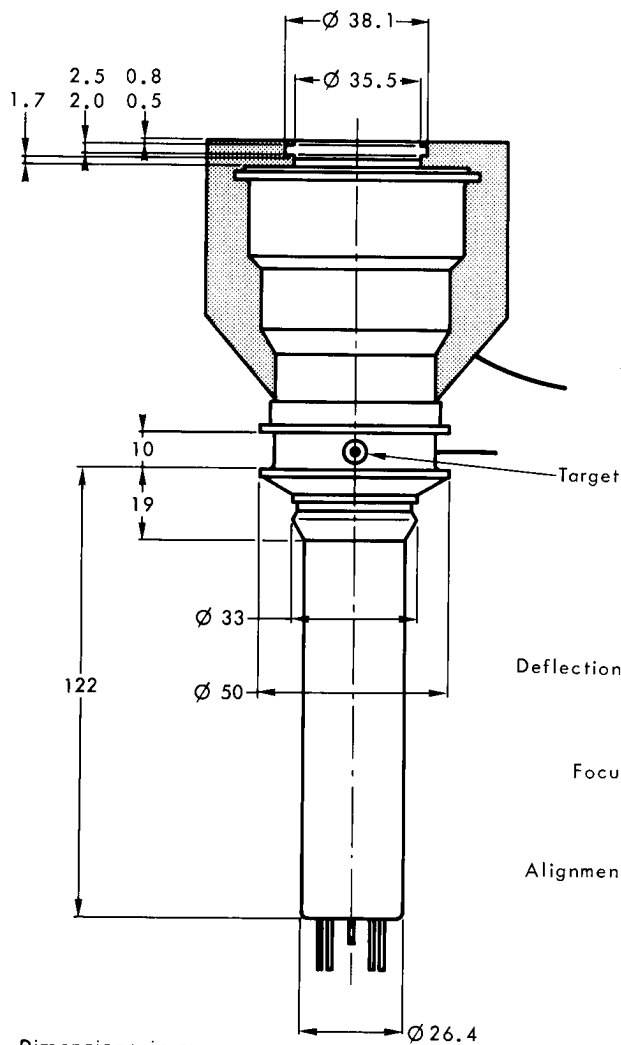
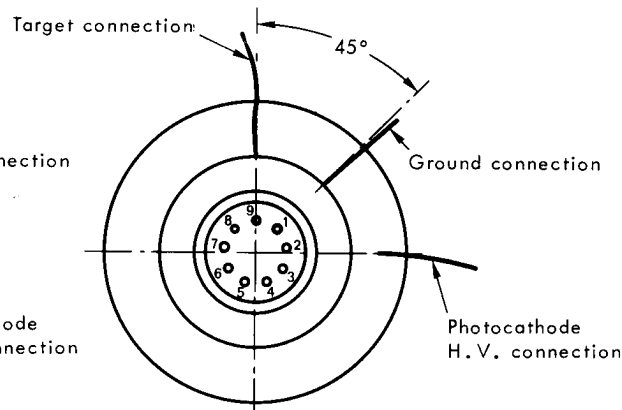
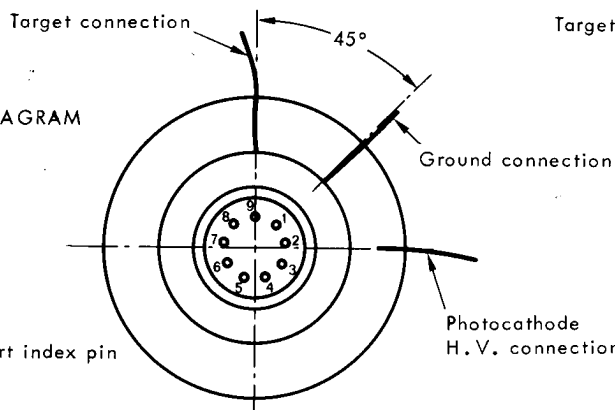


Figure 11

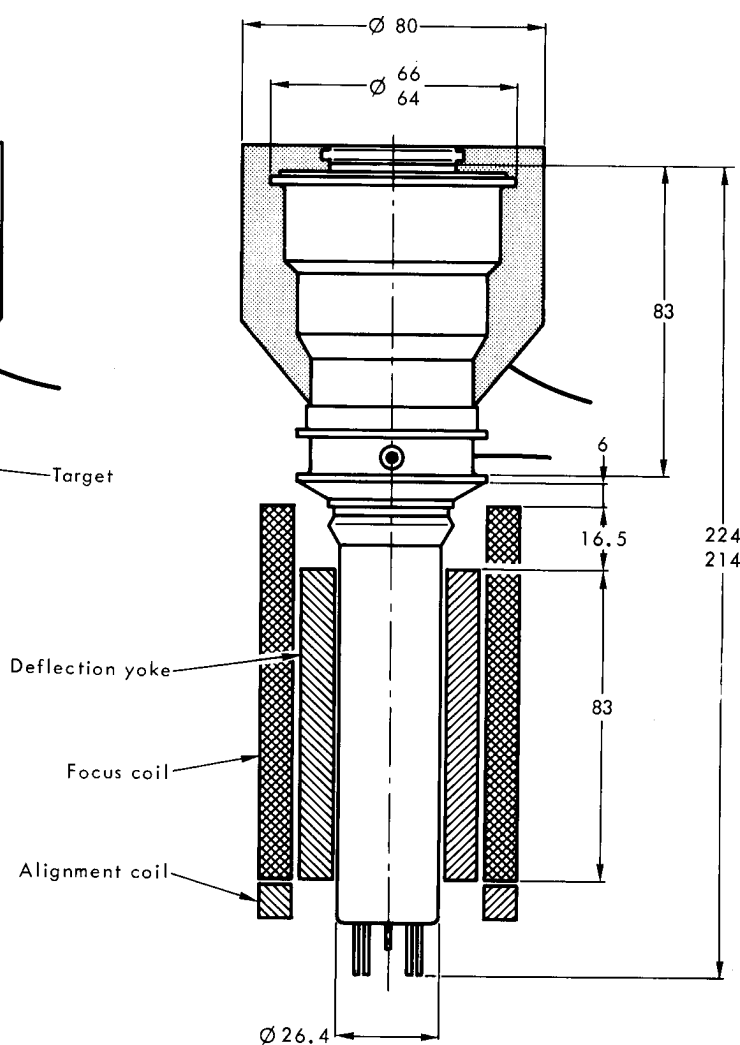
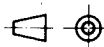


Figure 12

Dimensions in mm.





TH 9655

NOCTICON*

TUBE DE PRISE DE VUE A BAS NIVEAU DE LUMIERE (B.N.L.)

- FENETRE D'ENTREE A FIBRES OPTIQUES ϕ 25 mm
 - CIBLE SILICIUM ϕ 18 mm
 - LARGE REPONSE SPECTRALE
 - SENSIBILITE 300 mA/lumen
 - FAIBLE COURANT D'OBSCURITE
 - FAIBLE REMANENCE
 - GRANDE DYNAMIQUE (gain variable)
 - COMPACT ET ROBUSTE
 - RESISTANT AUX SUREXPOSITIONS

CARACTERISTIQUES GENERALES

Electro-optiques

Le tube TH 9655 a été conçu principalement pour les applications de télévision où le niveau de lumière disponible est faible ou très faible.

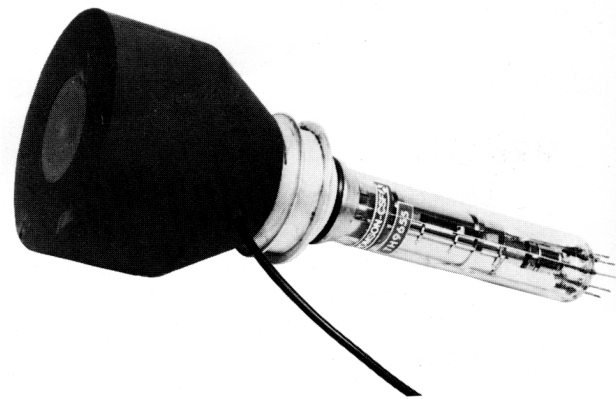
Ce tube compact et fiable comporte une photocathode sur une fenêtre plane à fibres optiques, une cible silicium à mosaïque de diodes et un canon de lecture. Ses hautes performances sont le fait du gain de multiplication fourni par la cible : chaque photoélectron issu de la photocathode et accéléré sous une tension de 10 kV environ, perd son énergie dans le silicium et crée par ionisation 1500 à 2000 paires électron-trou. La section image de hautes performances et d'utilisation simple permet un champ d'entrée de 25 mm ; ses qualités sont maintenues dans une large gamme de valeur de haute tension dont la variation permet d'utiliser le tube avec une grande dynamique d'éclairement.

Les photocathodes utilisées (S20 ou S20ER) de réponse panchromatique et le gain de cible permettent un fonctionnement à des niveaux d'éclairement proches des limites définies par le bruit de fluctuation des photoélectrons.

Les cibles silicium à mosaïque de diodes utilisées ont été conçues spécialement pour ce fonctionnement ; elles permettent conjointement, avec les hautes performances du canon, d'obtenir une haute résolution et une faible rémanence. Elles présentent également une remarquable résistance aux surcharges dues aux suréclairements de courtes durées et ne sont pratiquement pas sujettes au marquage.

La conception entière du tube a été faite pour lui conférer une exceptionnelle robustesse et permettre de réaliser des matériels fonctionnant dans des environnements sévères.

* Marque déposée.





Présentation

Les tubes TH 9655 peuvent être fournis nus ou enrobés (suffixe M). L'enrobage normal décrit par ailleurs est recommandé pour la facilité et la sécurité d'utilisation* (voir fig. 11 et 12).

D'autres types de présentation peuvent être réalisés : les tubes peuvent, par exemple, être livrés avec les bobines de concentration et de déviation ou avec les connexions par fils souples sur le pied du canon.

Les tubes peuvent être également livrés couplés à un intensificateur de type TH 9473, TH 9302 (25 mm obturable) ou TH 9479 (40 mm Zoom obturable).

Les tubes TH 9655 sont normalement livrables dans les classes suivantes :

| | | | |
|----------|---|---------------|-----|
| Classe A | { | TH 9655 NOR | (1) |
| | | TH 9655 M/NOR | (2) |
| Classe B | { | TH 9655 IND | (1) |
| | | TH 9655 M/IND | (2) |
| Classe C | { | TH 9655 AMR | (1) |
| | | TH 9655 M/AMR | (2) |

(1) Version tube nu

(2) Version tube enrobé

L'alimentation haute tension TH 7118 spécialement conçue pour ce tube peut être fournie.

CARACTERISTIQUES GENERALES

Mécaniques

| | | |
|---|------------------------|----|
| Longueur hors-tout | 224 | mm |
| Diamètre hors-tout : | | |
| - tube non enrobé | 71 | mm |
| - tube enrobé | 80 | mm |
| Diamètre section analyse, max. | 26,4 | mm |
| Embase | UTE 9 C 15 | |
| | (JEDEC N° E8 - 11) | |
| | METOX N° 30520 | |
| Support (note 1) | GERHARD BV 200 Spez 47 | |
| Bloc bobines de déviation et de concentration (note 2) | ou équivalent | |
| Bobine d'alignement (note 2) | GERHARD BV 80/3 | |
| | ou équivalent | |
| ou Bloc bobines de déviation, concentration et alignement (note 2). | THOMSON-CSF THX909 | |
| | ou équivalent | |
| Masse approximative : | | |
| - tube non enrobé | 250 | g |
| - tube enrobé | 450 | g |
| Position de fonctionnement | indifférente | |

* D'autres formes d'enrobage peuvent être réalisées sur demande.



Electriques

– SECTION IMAGE

| | |
|---------------------|-----------------|
| Concentration | électrostatique |
| Type | diode |

– SECTION ANALYSE

| | |
|---------------|---|
| Cathode | équipotentielle chauffage indirect à oxydes |
|---------------|---|

Chauffage filament :

| | |
|-------------------------|---------------|
| - tension | 6,3 V |
| - courant à 6,3 V | 0,15 ± 10 % A |

| | |
|-------------------------------------|------|
| Temps minimal de préchauffage | 60 s |
|-------------------------------------|------|

| | |
|---|-------|
| Capacité de sortie (entre électrode de signal et les autres électrodes) | 12 pF |
|---|-------|

| | |
|---------------------|-------------------|
| Concentration | électromagnétique |
| Déviation | électromagnétique |
| Alignement | électromagnétique |

Optiques

– SECTION IMAGE

| | |
|-------------------------|--------------------|
| Photocathode | S20 ou S20ER |
| Réponse spectrale | voir courbe fig. 1 |

Fenêtre d'entrée :

| | |
|----------------|---------------------------------|
| - forme | plane |
| - nature | fibres optiques (6 μm-N.A. = 1) |

| | |
|----------------------|-------|
| Diamètre utile | 25 mm |
|----------------------|-------|

| | |
|-------------------------------------|-------------------|
| Surface utile au format 4 x 3 | 3 cm ² |
|-------------------------------------|-------------------|

| | |
|--------------------|---------------|
| Format utile | 15 mm x 20 mm |
|--------------------|---------------|

Glace de protection (Tube enrobé) :

| | |
|---|--------------|
| - épaisseur | 2,5 ± 0,1 mm |
| - indice du verre (n _D) | 1,49 |

– SECTION ANALYSE

Cible :

| | |
|---|-------------------|
| - diamètre utile maximal (format 4 x 3) | 18 mm |
| - format normal sur cible | 10,8 mm x 14,4 mm |
| - orientation de l'image (note 3) : | |
| trace du balayage horizontal parallèle | |
| à un plan diamétral passant par la | |
| broche courte de l'embase. | |



CONDITIONS D'EMPLOI

Les potentiels sont définis par rapport à la masse, l'anode de la section image et la cathode de la section analyse étant reliées à la masse.

Valeurs limites d'utilisation (limites absolues)

| | | | |
|--|------|--------|-------|
| Température ambiante - en stockage | max. | + 70 | °C |
| | min. | - 55 | °C |
| en fonctionnement | max. | + 55 | °C |
| | min. | - 40 | °C |
| — SECTION IMAGE | | | |
| Tension de photocathode - valeur continue négative | max. | 12 | kV |
| | min. | 0 | V |
| Tension anodique | | 0 | V |
| Lumination de la face d'entrée (voir courbes fig. 2 et paragraphe 5 des consignes d'utilisation) | max. | 40 000 | lux.s |
| — SECTION ANALYSE | | | |
| Tension d'électrode de signal (cible) (note 4) | max. | 300 | V |
| Tension de grille g4 (de champ) (note 5) | max. | 350 | V |
| Tension de grille g3 (de paroi) (note 5) | max. | 350 | V |
| Tension de grille g2 (accélération) | max. | 350 | V |
| Tension de grille g1 (extinction du faisceau) : | | | |
| - valeur continue négative | max. | 150 | V |
| - valeur continue positive | max. | 0 | V |
| Tension de cathode k | | 0 | V |
| Tension de filament | max. | 6,6 | V |
| | min. | 6,0 | V |
| Tension entre filament et cathode : | | | |
| - filament négatif par rapport à la cathode | max. | 125 | V |
| - filament positif par rapport à la cathode | max. | 10 | V |
| Courant de cible (note 6) | max. | 750 | nA |

Exemple de fonctionnement

Conditions de fonctionnement :

Température (note 7) 25 °C

— SECTION IMAGE

Tension de photocathode (valeur continue négative) 9 kV

Tension anodique 0 V

— SECTION ANALYSE

Tension électrode de signal 8 V

Tension de grille g4 340 V

Tension de grille g3 290 V

Tension de grille g2 300 V

Tension de grille g1 (pour obtenir le cut-off de l'image) (note 8) . min. - 40 V

max. - 100 V

Tension crête minimale de blocage :

- appliquée sur la grille g1 - 75 V

- appliquée sur la cathode + 20 V

Champ magnétique de concentration 40 Gauss

Courant crête de déviation pour ensemble BV 200/Spéz 47 :

- horizontale 200 mA

- verticale 25 mA

Champ magnétique d'alignement 0 à 4 Gauss



Performances électro-optiques

| | | | | |
|---|---|-----------|--------|-----------------|
| Standard d'analyse de l'image | 25 images/s | | | |
| Format de l'image sur la photocathode | 625 lignes entrelacées 15 mm x 20 mm | | | |
| | min. | moy. | max. | Unités |
| Courant d'obscurité (fig. 3) | — | 10 | 20 | nA |
| Sensibilité globale (note 9) : | | | | |
| TH 9655 NOR et IND (fig. 4) | { 70 235 | 90 300 | — — | μA/lux mA/lm |
| TH 9655 AMR | { 55 180 | 80 260 | — — | μA/lux mA/lm |
| Gamma moyen pour un courant de signal compris entre 1 et 700 nA (note 10) | — | 1 | — | |
| Variation du gain pour une excursion de la tension de photocathode comprise entre -3 kV et -11 kV (fig. 5). | 100 | 400 | — | |
| Résolution limite au centre de l'image (note 11) (fig. 6 et 7) | — | 750 | — | lignes TV |
| Taux de modulation à 400 lignes TV au centre de l'image (note 12) (fig. 7) | 30 | 35 | — | % |
| Persistence (note 13) (fig.8) sur la 3ème trame balayée . | — | 15 | 25 | % |

ESSAIS D'ENVIRONNEMENT

Le tube TH 9655 supporte hors fonctionnement les essais d'environnement suivants. Après exécution de ces essais le tube doit satisfaire aux performances définies dans le paragraphe CONDITIONS D'EMPLOIS.

— ESSAI CLIMATIQUE

Le tube est soumis à 4 cycles de température entre - 55 °C et + 70 °C, avec maintien aux températures extrêmes pendant 30 mn. Chaque cycle est exploré avec une variation de l'ordre de 2 °C/mn.

— VIBRATIONS SINUSOIDALES

Le tube étant maintenu rigidement en trois points, collet photocathode, chambre cible et embase canon, est vibré suivant 3 axes orthogonaux dont l'un passe par l'axe du tube.

L'essai est conduit comme suit :

Niveaux d'excitation :

- amplitude de vibration : 0,4 mm de 10 à 110 Hz
- accélération crête : 20 g de 110 à 500 Hz

Durée du cycle : 10 Hz - 500 Hz - 10 Hz : 30 mn par axe.

— SECOUSSES

L'essai est réalisé conformément à la norme NF C20 - 624.:

- accélération maximale : 40 g
- nombre total de secousses : 2000, dont 1000 suivant l'axe longitudinal du tube et 500 selon chacun des 2 autres axes orthogonaux.



CARACTERISTIQUES D'ASPECT

Conditions de mesure

Tension de photocathode : $V_{PC} = -6$ kV
 Tension de cible : $V_C = 8$ V
 Courant de signal : $I_s = 300$ nA

Le gain de l'amplification vidéo et le récepteur de contrôle sont réglés pour obtenir une image optimale (note 14).

Les défauts d'aspect sont observés sur une mire blanche éclairée uniformément sur laquelle figurent les courbes délimitant les zones de qualité (fig. 9).

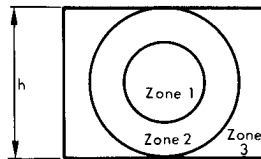


Figure 9

Les zones de qualité sont définies de la façon suivante, h représentant la hauteur de l'image :

- la zone 1 est limitée à l'intérieur du cercle de diamètre $h/2$;
- la zone 2 est comprise entre les cercles de diamètre $h/2$ et h ;
- la zone 3 représente la surface extérieure au cercle de diamètre h .

CLASSE A

Défauts ponctuels

Points noirs et blancs,

Seuls sont pris en considération les points dont le contraste est de $C \geq 10\%$ (note 15) en lumière ou dans l'obscurité.

| Dimensions du défaut "d" (note 16) | | Nombre de défauts | | | | | |
|------------------------------------|-----------|-------------------|------|--------|------|--------|------|
| | | Zone 1 | | Zone 2 | | Zone 3 | |
| en % de h | Ligne TV | Blanc | Noir | Blanc | Noir | Blanc | Noir |
| $\geq 1,8$ | ≥ 10 | 0 | 0 | 0 | 0 | 0 | 0 |
| $\geq 1,25$ | ≥ 7 | 0 | 1 | 0 | 2 | 0 | 2 |
| $\geq 0,8$ | ≥ 4 | 0 | 2 | 1 | 5 | 2 | 8 |
| $\geq 0,6$ | ≥ 3 | 1 | 3 | 2 | 9 | 3 | 18 |
| $\geq 0,2$ | ≥ 1 | 2 | + | 4 | + | 5 | + |
| $< 0,2$ | < 1 | + | + | + | + | + | + |

+ Ces défauts ne sont pas pris en considération si leur nombre ou leur concentration ne détériore pas la qualité de l'image.

Il en est de même pour les défauts de contraste $C < 10\%$.

Défauts non ponctuels

Les marbrures, granulations, taches et zones (blanches et noires) sont admises si leur contraste est $C \leq 5\%$.

Les défauts de compactage de fibre optique ne sont pas pris en considération si leur contraste est $C \leq 10\%$.



CLASSE B

Défauts ponctuels

Points noirs et blancs,

Seuls sont pris en considération les points dont le contraste est de $C \geq 15\%$ (note 15) en lumière ou dans l'obscurité.

| Dimensions du défaut "d" (note 16) | | Nombre de défauts | | | | | |
|------------------------------------|-----------|-------------------|------|--------|------|--------|------|
| | | Zone 1 | | Zone 2 | | Zone 3 | |
| en % de h | Ligne TV | Blanc | Noir | Blanc | Noir | Blanc | Noir |
| $\geq 2,5$ | ≥ 13 | 0 | 0 | 0 | 0 | 0 | 0 |
| $\geq 1,8$ | ≥ 10 | 0 | 0 | 0 | 1 | 0 | 2 |
| $\geq 1,25$ | ≥ 7 | 0 | 1 | 0 | 3 | 1 | 3 |
| $\geq 0,8$ | ≥ 4 | 1 | 2 | 2 | 6 | 3 | 9 |
| $\geq 0,4$ | ≥ 2 | 4 | 7 | 7 | 10 | 9 | 20 |
| $< 0,4$ | < 2 | + | + | + | + | + | + |

+ Ces défauts ne sont pas pris en considération si leur nombre ou leur concentration ne détériore pas localement la qualité de l'image.

Il en est de même pour les défauts de contraste $C < 15\%$.

Défauts non ponctuels

Les marbrures, granulation, taches et zones (blanches et noires) sont admises si leur contraste est $C \leq 10\%$.

Les défauts de compactage de fibre optique ne sont pas pris en compte si leur contraste est $C \leq 20\%$.



CLASSE C

Défauts ponctuels

Points noirs et blancs.

Seuls sont pris en considération les points dont le contraste est de $C \geq 15\%$ (note 15) en lumière ou dans l'obscurité.

| Dimensions du défaut "d" (note 16) | | Nombre de défauts* | | |
|------------------------------------|-----------|--------------------|--------|--------|
| | | Zone 1 | Zone 2 | Zone 3 |
| en % de h | Ligne TV | | | |
| $\geq 2,5$ | ≥ 13 | 0 | 0 | 0 |
| $\geq 1,8$ | ≥ 10 | 0 | 1 | 2 |
| $\geq 1,25$ | ≥ 7 | 1 | 3 | 4 |
| $\geq 0,8$ | ≥ 4 | 3 | 8 | 12 |
| $\geq 0,4$ | ≥ 2 | 11 | 17 | 25 |
| $< 0,4$ | < 2 | + | + | + |

* Les défauts indiqués correspondent au nombre total de défauts admis sans distinction entre les points noirs et blancs.

+ Ces défauts ne sont pas pris en considération si leur nombre ou leur concentration ne détériore pas localement la qualité de l'image.

Il en est de même pour les défauts de contraste $C < 15\%$.

Défauts non ponctuels

Les marbrures, granulations, taches et zones (blanches et noires) sont admises si leur contraste est $C \leq 20\%$.

Les défauts de compactage de fibre optique ne sont pas pris en compte si leur contraste est $C \leq 30\%$.

NOTES

- 1 - METOX - 86 rue de Villiers de l'Isle Adam - 75020 PARIS - Téléphone 636 31 10.
- 2 - GERHARD KG - REICHELSEHEIM/ODW Germany.
THOMSON-CSF GTE - 8 rue Chasseloup-Laubat - 75737 PARIS CEDEX 15 - Téléphone 566 70 04.
- 3 - Il est indispensable de s'assurer de la position correcte du tube à l'intérieur des bobines.
- 4 - En fonctionnement normal, la tension cible ne dépassera pas 15 V.
- 5 - En aucun cas, la tension de la grille N° 3 ne sera supérieure à celle de la grille N° 4.



- 6 - On définit le courant de cible comme étant le courant total circulant dans la résistance de charge connectée à l'électrode de signal : courant de signal + courant d'obscurité, le courant d'obscurité étant le facteur subsistant dans le cas de la cible non éclairée.

Les amplificateurs vidéo doivent être calculés convenablement pour supporter des courants de cible de $1 \mu A$ afin d'éviter des surcharges d'alimentation ou des distorsions d'image.

- 7 - Toutes les caractéristiques sont données pour une température du tube de $25^{\circ} C$ au voisinage de la cible ; les limites de température recommandées pour un bon fonctionnement étant de $20^{\circ} C$ et $30^{\circ} C$.

L'élévation de la température au voisinage de la cible est conditionnée à la fois par les variations de la température ambiante, par la dissipation thermique des dispositifs environnant et du tube lui-même.

Une élévation de la température du tube de $10^{\circ} C$ entraîne une variation du courant d'obscurité dans le rapport de 1 à 2.

- 8 - Sans impulsion de blocage appliquée sur l'électrode g1.
- 9 - La source lumineuse est une lampe à filament de tungstène fonctionnant à la température de couleur de $2854^{\circ} K$.
- 10 - Le "gamma" moyen peut être défini comme la pente de la partie rectiligne de la caractéristique de transfert en coordonnées logarithmiques.

- 11 - Pratiquement, la résolution limite correspond, sur une mire de définition à lignes noires et blanches, à un taux de modulation voisin de 7 %.

- 12 - Pour le standard CCIR de 625 lignes, la durée d'une ligne est de $52 \mu s$ (temps de suppression exclu), 400 lignes TV correspondant à une fréquence de 5 MHz.

- 13 - La persistance s'exprime par le rapport en % du courant de signal résiduel, mesuré à la fin de la n^e trame balayée après extinction de l'excitation lumineuse, au courant de signal initial.

Les valeurs indiquées sont valables pour une cadence de balayage de 50 trames/seconde.

- 14 - Le réglage du récepteur est obtenu de la façon suivante :
- pour le niveau zéro (noir) la brillance de l'écran est réglée au point d'extinction de celui-ci.
 - pour le niveau maximum (blanc), le gain du récepteur est ajusté pour obtenir une image optimale, fonction du contenu de l'image et de l'éclairage ambiant.

- 15 - Le contraste étant défini comme le rapport en % du signal vidéo délivré par le défaut sur le courant de signal normal délivré par le tube.

- 16 - Les dimensions des défauts d'aspect sont exprimées :

- par le rapport d/h où :
 - d est le diamètre moyen du défaut
 - h est la hauteur du cadre de l'image
- par le nombre équivalent de lignes TV pour un standard de 625 lignes.

CONSIGNES D'UTILISATION

Recommandations importantes

- 1 - Utilisation du tube non enrobé

Il est important de ne pas placer de pièces métalliques à proximité de la face avant à fibres optiques et du collet de photocathode, ceux-ci étant portés à un potentiel pouvant atteindre $-12 kV$ par rapport à la masse.

Au niveau de la face avant, des microclaquages entre les faces interne et externe des fibres optiques peuvent donner naissance à des scintillations. Celles-ci se traduisent sur l'image par l'apparition de points lumineux fluctuants.



A la limite, un claquage peut provoquer une détérioration de la face avant, accompagnée d'une entrée d'air.

Pour les mêmes raisons, des précautions doivent être prises pour protéger le tube contre l'humidité.

2 - Utilisation du tube enrobé

L'exploitation du tube en version enrobée apporte une excellente sécurité de fonctionnement et simplifie beaucoup la conception de la tête de la caméra.

En effet, d'une part, l'enrobage protège le collet de photocathode contre l'environnement immédiat ; d'autre part, une glace recouverte sur une face d'une couche conductrice transparente est collée sur la face avant du tube (épaisseur de la glace $2,5 \pm 0,1$ mm ; indice : 1,49). La face conductrice, placée contre la fibre optique, est reliée au potentiel de la photocathode afin d'éviter les scintillations et claquages éventuels au niveau de la photocathode.

3 - Les tensions de balayage de la section d'analyse doivent être appliquées avant les tensions d'électrodes. Lorsque les prises de vue sont terminées, elles doivent être coupées après les tensions d'électrodes.

4 - Au moment des prises de vues, appliquer la très haute tension en dernier lieu. Quand les prises de vues sont terminées, il faut au contraire couper en premier la très haute tension.

5 - Le tube ne doit pas être soumis à des niveaux lumineux supérieurs à ceux définis par les courbes de la figure 2.

Des luminations de la photocathode supérieures à celles définies par les courbes de la figure 2 peuvent entraîner des marquages permanents de la cible pouvant détériorer notablement la qualité de l'image.

Il est conseillé, lors de l'exploitation avec de grandes variations de luminance, de prévoir : un asservissement de la tension de photocathode, l'interposition de filtres et une obturation du système optique afin de ramener le courant de signal à sa valeur normale (300 à 400 nA).

6 - Notes sur la tension de cible

Le courant d'obscurité et les défauts d'aspects de la cible augmentent avec la valeur de cette tension.

La sensibilité du tube est indépendante du potentiel de la cible à partir d'une certaine valeur.

La valeur optimale de la tension de cible est celle qui permet d'obtenir un courant de signal maximal (> 500 nA) et le courant d'obscurité minimal.

Cette valeur est de l'ordre de 8 à 10 volts avec les blocs de bobines mentionnés dans cette notice.

Une utilisation avec une tension de cible supérieure à 15 volts peut entraîner une destabilisation de la cible, rendant impossible la recharge de celle-ci par le faisceau.

Il est possible de restabiliser la cible en opérant un cycle de restauration comme suit :

- 1 - Boucher l'optique ;
- 2 - Ramener V_{PC} à 0 V ;
- 3 - Balayer toute la cible ;
- 4 - Ajuster V_{g1} autour de - 5 volts ;
- 5 - Porter la tension de cible (V_C) à 300 volts pendant 1 à 2 secondes ;
- 6 - Polariser l'électrode $g1$ à la valeur de "cut-off" ou supérieure ($V_{g1} \geq V_{CO}$) ;
- 7 - Ramener V_C à sa valeur normale soit 8 à 10 volts ;
- 8 - Réajuster V_{g1} pour obtenir un faisceau déchargeant normalement la cible.

Le tube est de nouveau prêt à fonctionner normalement.

7 - Note sur l'alignement du faisceau

Une attention particulière doit être portée à l'alignement correct du faisceau d'électrons.

Le réglage des courants dans les bobines d'alignement doit être effectué pour l'obtention d'un courant de signal maximal supérieur à 500 nA pour toutes les parties de l'image et un pouvoir de résolution homogène.



Figure 1
REponses SPECTRALES TYPQUES
DES PHOTOCATHODES S20 ET S20 ER

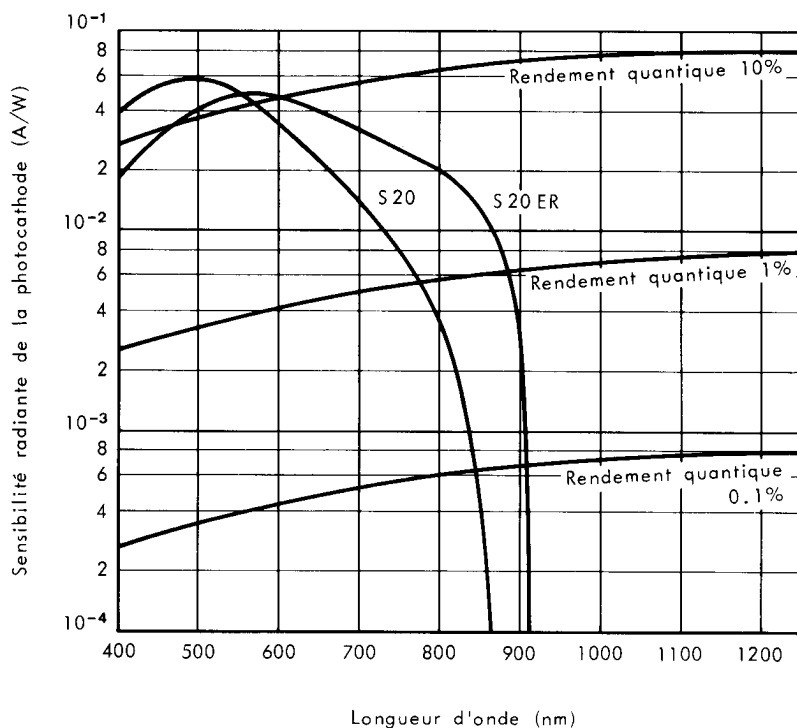


Figure 2
EXPOSITION LIMITE SUR LA PHOTOCATHODE

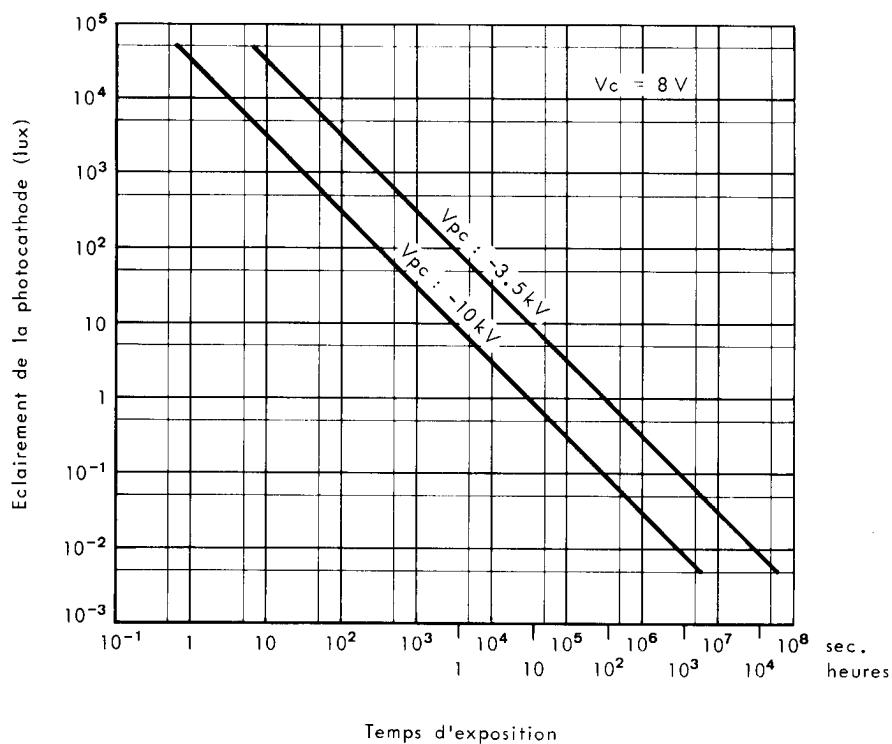




Figure 3
COURANT D'OBSCURITE EN FONCTION
DE LA TENSION DE CIBLE

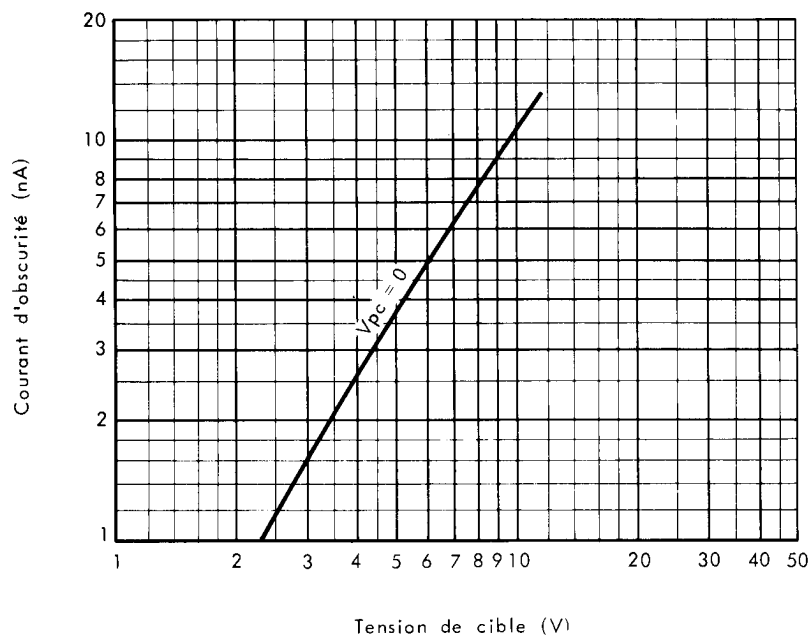


Figure 4
CARACTERISTIQUE DE TRANSFERT TYPIQUE

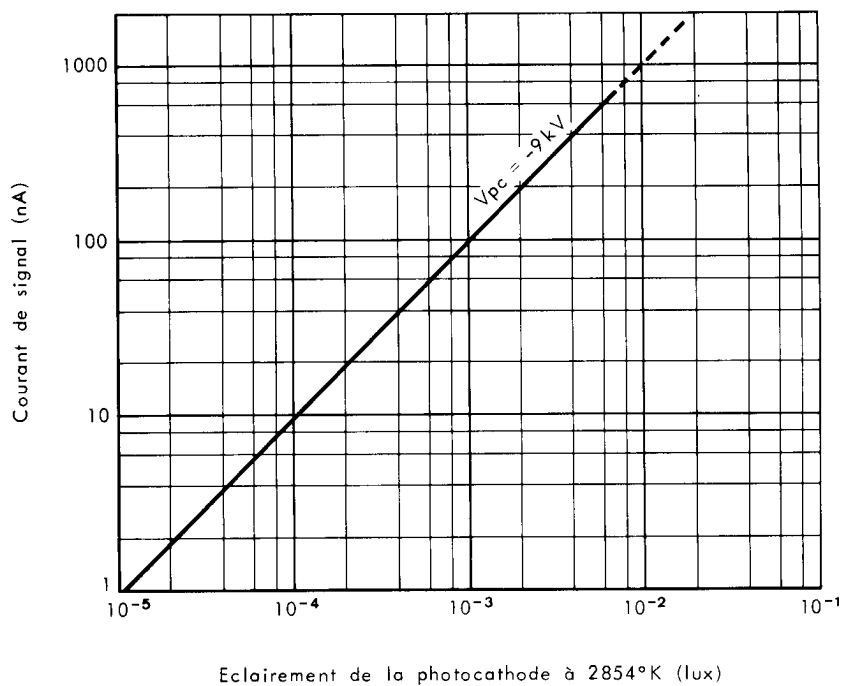




Figure 5

CARACTERISTIQUE TYPIQUE DE SENSIBILITE
EN FONCTION DE LA TENSION DE PHOTOCATHODE

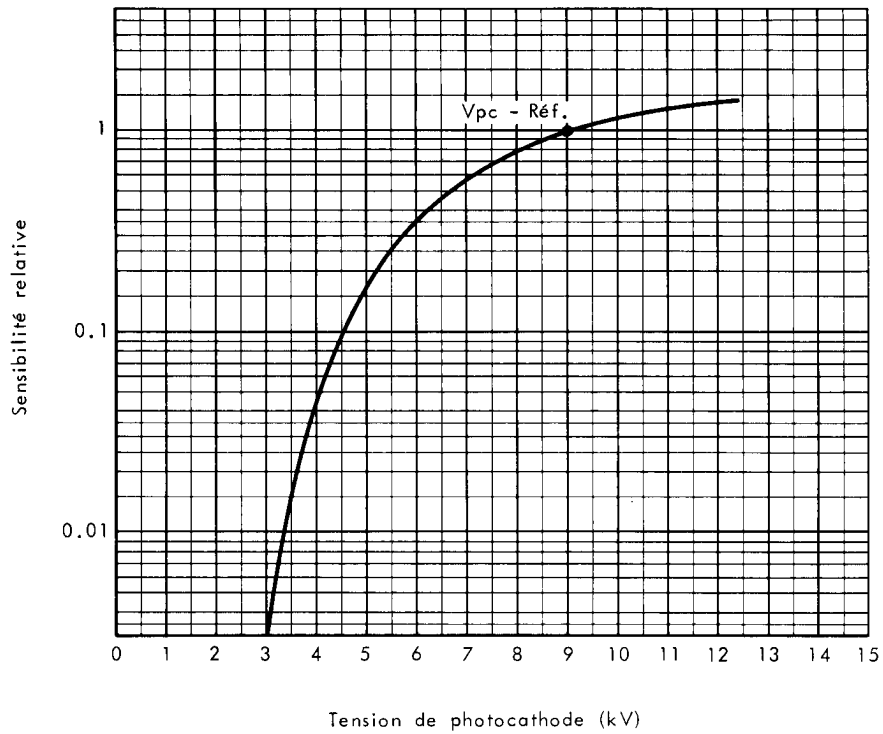


Figure 6

CARACTERISTIQUE DE RESOLUTION TYPIQUE

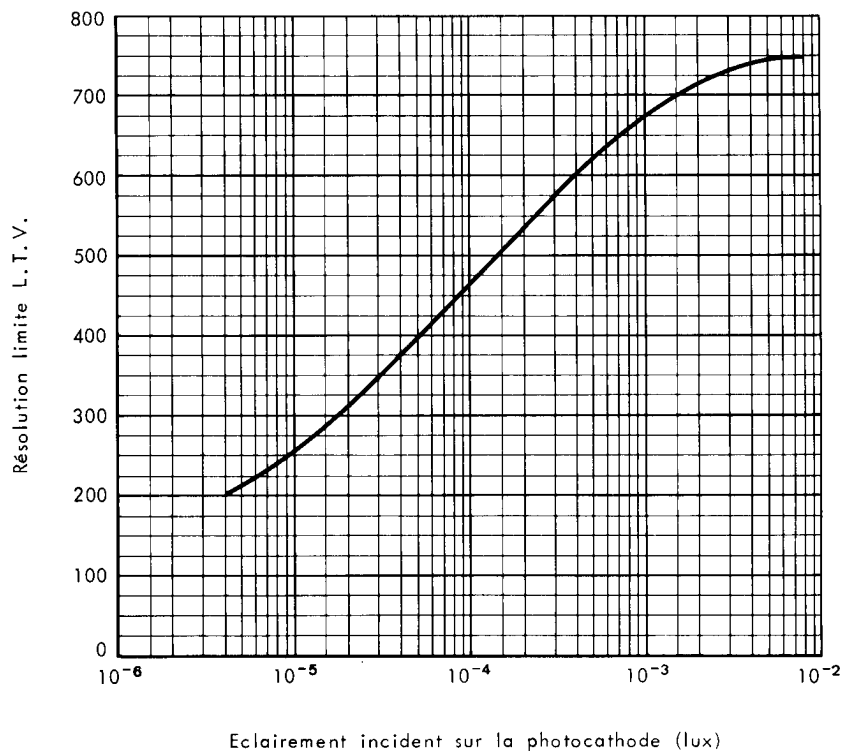




Figure 7
CARACTERISTIQUE TYPIQUE DE LA FONCTION DE
TRANSFERT DE MODULATION (mire P 200)

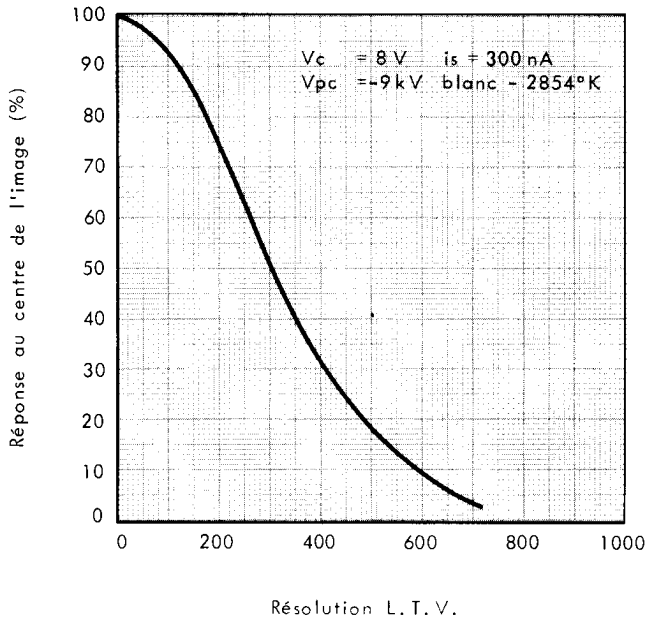
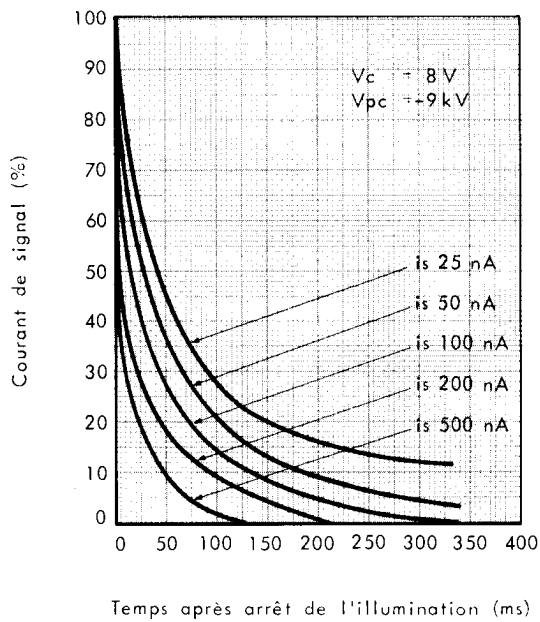


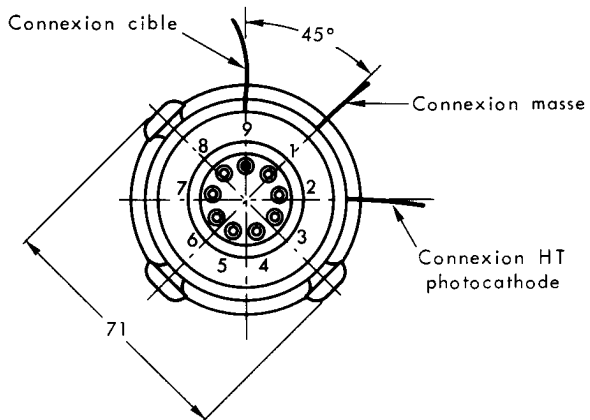
Figure 8
CARACTERISTIQUE DE REMANENCE TYPIQUE





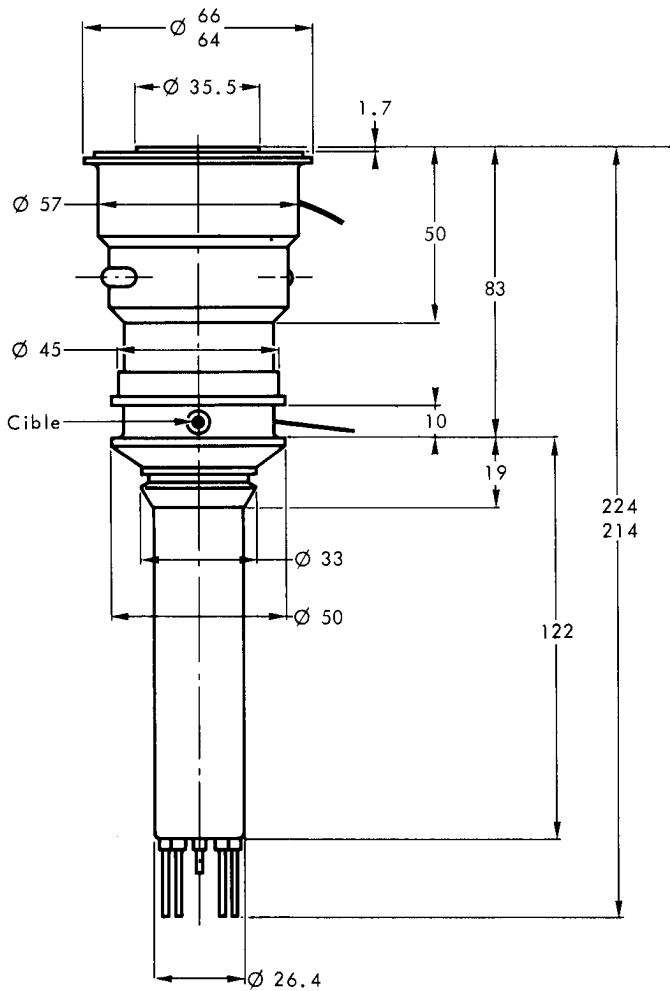
DESSIN D'ENCOMBREMENT

Tube non enrobé



BROCHAGE

- 1 = f
- 2 = g1
- 3 = g4
- 4 = ci
- 5 = g2
- 6 = g3
- 7 = k
- 8 = f
- 9 = broche repère courte



Cotes en mm.

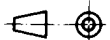


Figure 10



DESSIN D'ENCOMBREMENT

Tubes enrobés

BROCHAGE

- 1 - f
- 2 - g1
- 3 - g4
- 4 - ci
- 5 - g2
- 6 - g3
- 7 - k
- 8 - f
- 9 - broche repère courte

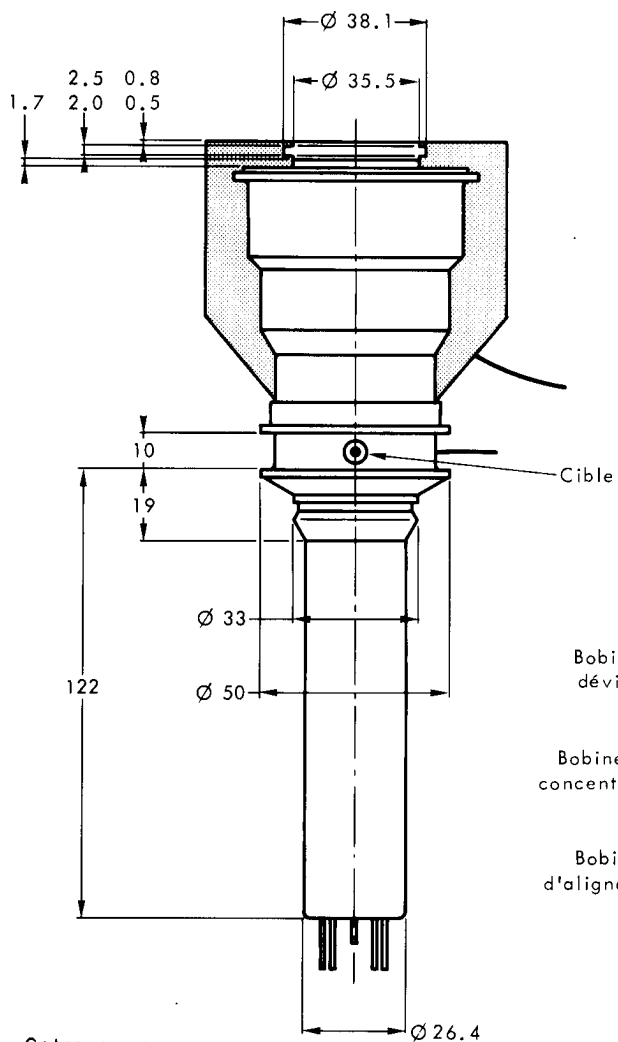
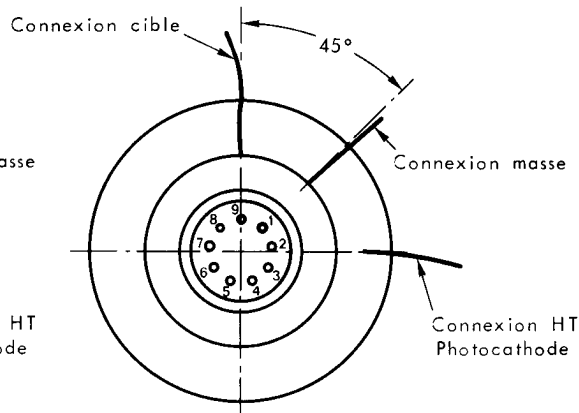
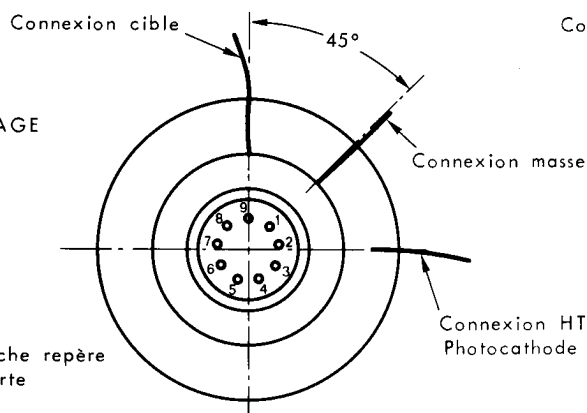


Figure 11

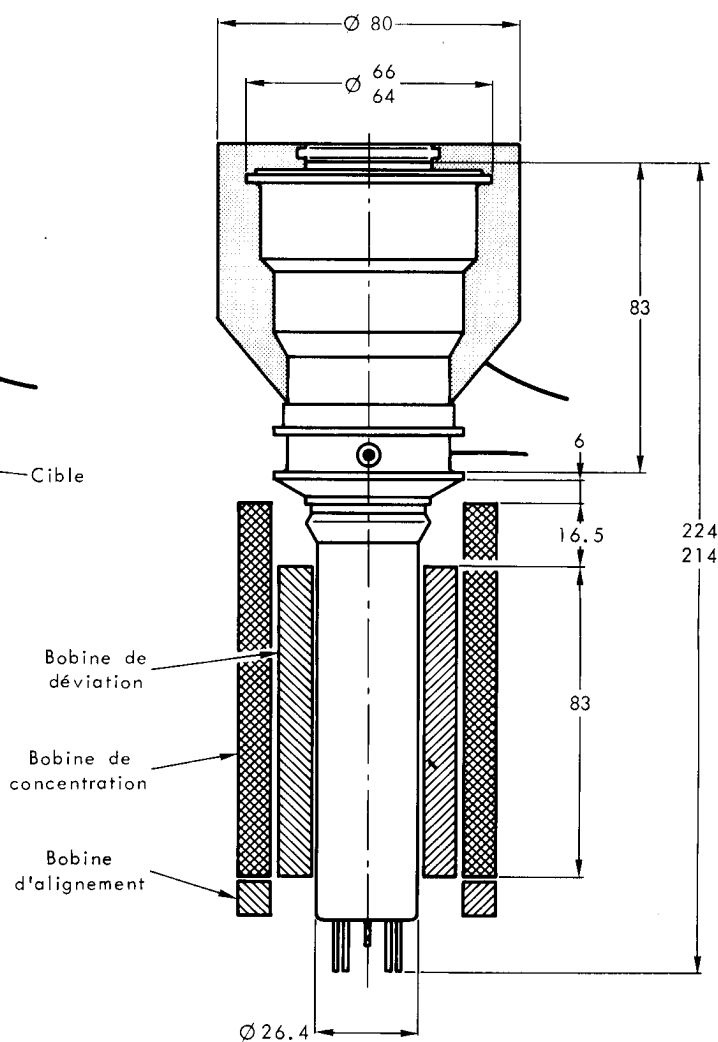


Figure 12

Cotes en mm.

